
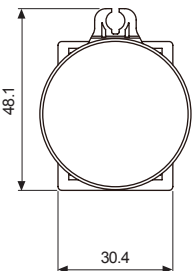
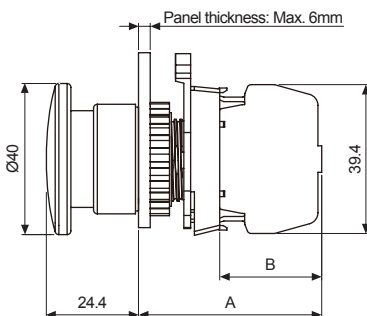


# Ⓢ Ø22/25 Mushroom-head Push Button Switches

## Ø22/25 Mushroom-head Push Button Switches (S2BR Series)

Type	Appearance	Model	Contact block		LED block										
			A contact	B contact	AC/DC voltage	AC voltage									
Extended	 <p>S2BR-P1G□</p>	S2BR-P1□A(M)	1	—	—	—									
		S2BR-P1□2A(M)	2	—											
		S2BR-P1□3A(M)	3	—											
		S2BR-P1□B(M)	—	1											
		S2BR-P1□2B(M)	—	2											
		S2BR-P1□3B(M)	—	3											
		S2BR-P1□AB(M)	1	1											
		S2BR-P1□2AB(M)	2	1											
		S2BR-P1□A2B(M)	1	2											
<p>※□ indicates color: <b>R</b>, <b>G</b></p> <p>※The M in the model name indicates modular type contact block. Models without M are singular contact block.</p> <p>※The control unit, contact blocks, LED blocks are sold separately. (control unit: bold letters, contact block: regular letters)</p>															
<p>• Dimensions <span style="float: right;">(unit: mm)</span></p> <div style="display: flex; justify-content: space-around; align-items: flex-start;"> <div style="text-align: center;">  <p>48.1</p> <p>30.4</p> </div> <div style="text-align: center;">  <p>Panel thickness: Max. 6mm</p> <p>∅40</p> <p>24.4</p> <p>39.4</p> <p>A</p> <p>B</p> </div> <div style="border: 1px solid black; padding: 5px;"> <table border="1"> <thead> <tr> <th></th> <th>A</th> <th>B</th> </tr> </thead> <tbody> <tr> <td>Singular type</td> <td>48.5</td> <td>27 0</td> </tr> <tr> <td>Modular type</td> <td>46.5</td> <td>25 0</td> </tr> </tbody> </table> </div> </div> <p>※For panel cut-out dimensions, please refer to page A-82.</p>								A	B	Singular type	48.5	27 0	Modular type	46.5	25 0
	A	B													
Singular type	48.5	27 0													
Modular type	46.5	25 0													

Control Switches

Ø16

Ø22/25

Ø30

□30

Push Button Switches

Round

Square

Rectangular

Selector Switches

Round

Square

Rectangular

Key Selector Switches

Round

Square

Rectangular

Double Push Button Switches

Mushroom head Push Button Switches

Emergency Switches

Pilot Lights


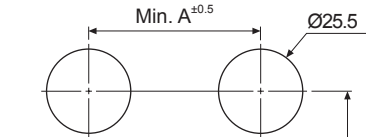
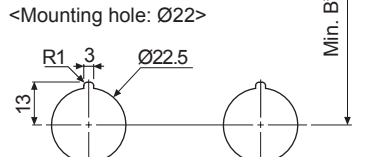









Accessories

Buzzers

# Ø22/25 Panel Cut-out Dimensions

## Ø22/25 Panel Cut-out Dimensions

(unit: mm)

Type		A	B	Panel Cut-out Dimensions
Round/Square Push Button Switches (S2PR/S2PRS Series)		 33	55	<p>&lt;Mounting hole: Ø25&gt;</p>  <p>&lt;Mounting hole: Ø22&gt;</p> 
Round Selector Switches (S2SR/S2SRN Series)	Short lever	 33	55	
	Long lever	 55	55	
Round Key Selector Switches (S2KR Series)		 33	55	
Double Push Button Switches (S2TR Series)		 33	60	
Mushroom-head Push Button Switches (S2BR Series)		 33	55	
Emergency Switches (S2ER Series)	D30	 33	55	
	D40	 55	55	
	D60	 80	80	
Pilot Lights (L2RR Series)		 33	55	